

Technical Datasheet



VIE 03 (Ex)

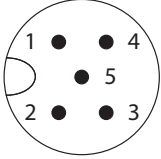
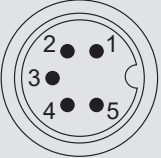
Inductive Pulse Amplifiers
with Single Pickup

Application

The VIE 03 are inductive pickups for ZHA gearflow meters. Due to the wide frequency range (7 to 5,000 Hz) they work with most ZHA. The VIE 03 are good choices for meters with aluminium housings, where carrier frequency amplifiers do not work.

For applications in hazardous areas intrinsically safe versions with ATEX and IECEx certification for zone 1 and cCSAus certification for zone 0 and division 1 are available.

Technical Data

Supply Voltage U_B	10 up to 30 V DC, regulated 7 up to 30 V DC („U“, NAMUR operation) 5 up to 10.5 V („N“)	
Quiescent Current	< 1 mA	
Frequency Range	7 up to 5,000 Hz	
Temperature	-40 °C up to +80 °C [-40 °F up to +176 °F] (non Ex) -40 °C up to +60 °C [-40 °F up to +140 °F] (Ex, T4)	
Housing	Aluminum	
Dimensions	See dimensional drawing (page 3)	
Ingress Protection	IP65, IP67 upon request	
Ex Protection	ATEX: II 2G Ex ia IIC T4 Gb IECEx: Ex ia IIC T4 Gb cCSAus: Class I, Div. 1, Groups A, B, C, D; T4 Ex ia IIC T4 Ga Class I, Zone 0 AEx ia IIC T4 Ga	
Electrical Connection ¹⁾	M12 plug-in connector (5-pin, male, A-coded) 1 = $+U_B$ 2 = n.c. / NAMUR- („N“, „U“) 3 = 0 V (not „N“) 4 = Signal Push Pull (not „N“) 5 = n.c.	
	M16 plug-in connector (5-pin, male, A-coded) (option) 1 = $+U_B$ 2 = Signal Push Pull 3 = 0 V 4 = n.c. 5 = n.c.	

¹⁾ Other plugs or pin assignments on request.

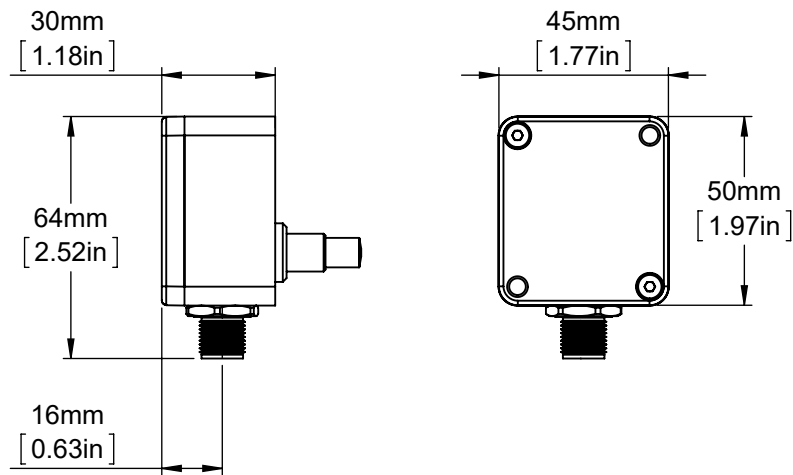
Ex-Supply Data

Supply Circuit (pin 1 and 3) (Version P, U)	Voltage Current Power Effective internal capacitance	$U_i = \text{DC } 30 \text{ V}$ $I_i = 120 \text{ mA}$ $P_i = 850 \text{ mW}$ $C_i = 8 \text{ nF}$
Signal Current Circuit push/Pull (Pin 3 and 4) (Version, P, U)	Voltage Current Power Effective internal capacitance	$U_i = 30 \text{ V}$ $I_i = 24.6 \text{ mA}$ $P_i = 185 \text{ mW}$ $C_i = 8 \text{ nF}$

Ex-Supply Data Version „N“ NAMUR

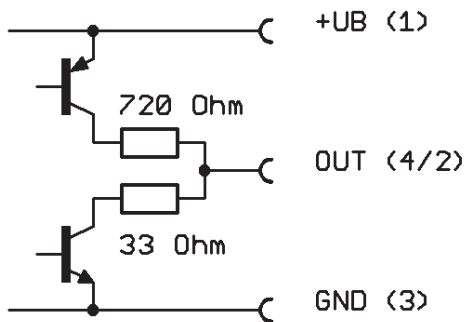
Supply and Signal Circuit (Pin 1 and 2) (Version „N“)	Voltage Current Power Effective internal capacitance	$U_i = \text{DC } 10.5 \text{ V}$ $I_i = 16 \text{ mA}$ $P_i = 40 \text{ mW}$ $C_i = 8 \text{ nF}$
---	---	---

Dimensional Drawing

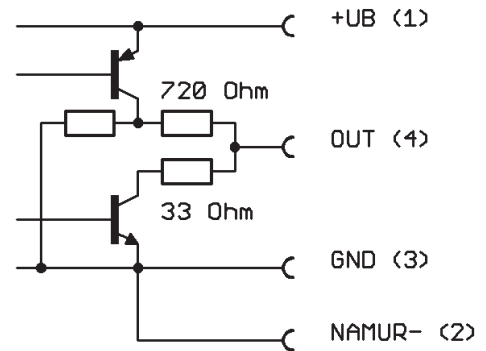


Output (short-circuit proof)

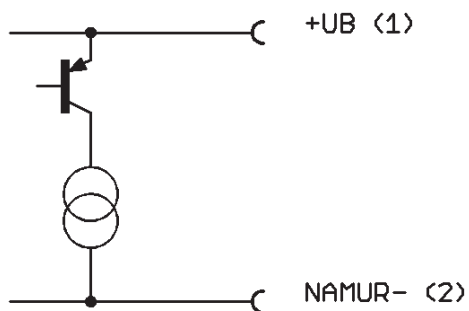
Push Pull



Push Pull + NAMUR



NAMUR



Ordering Code

	VIE03	-	X	X	-	X	-	X	-	X
Mechanical Design										
For ZHM 01			1	0						
For ZHM 01/1 and 01/2			1	1						
For ZHM 01/3			1	3						
For ZHM 02 and 02/1			2	0						
For ZHM 03			3	0						
Für ZHM 04			4	0						
Output²⁾										
M16, Push Pull										A
M12, Push Pull										P
M12, NAMUR										N
M12, Universal (Push-Pull and NAMUR)										U
Options										
No Option										
LED										L
Ex Protection										
No certification										
ATEX (II 2G Ex ia IIC T4 Gb), IECEx, cCSAus										Ex
ATEX (II 3G Ex nA IIC T4)										Exn

Examples:

VIE03-10-N	For ZHM 01, M12 NAMUR, no option, no Ex certification
VIE03-13-P-L-Ex	For ZHM 01/03, M12 push-pull, LED, Ex certification ATEX, IECEx, cCSAus

Safety Instructions

The following has to be adhered to:

- a. Installation instructions for electrical devices.
Installation instructions for associated intrinsically-safe devices.
The »Special conditions for safe use« as per EC-Type Examination Certificate.
- b. The amplifier has to be installed in a way that the max. ambient temperature does under no circumstances exceed +60 °C [+140 °F].
- c. With cables care should be taken, that the max. inductivity and capacity of the respective voltage and gas group are not exceeded.
- d. Exceeding or falling below the regular measuring range will cause invalid frequency output signals.
- e. Shielded cables are to be used as connecting lines.
- f. Generally, supplied units have to be connected by an expert according to EMC stipulations.
- g. Disconnect power supply before making electrical connection.

²⁾ Other plugs or pin assignments on request.



Küppers Elektromechanik GmbH

www.kem-kueppers.com

info@kem-kueppers.com

KEM Headquarters

Liebigstraße 5
85757 Karlsfeld
Germany

T. +49 8131 59391-0
F. +49 8131 92604

info@kem-kueppers.com

KEM Manufacturing Center

Wetzeller Straße 22
93444 Bad Kötzing
Germany

T. +49 9941 9423-0
F. +49 9941 9423-23

production@kem-kueppers.com

KEM Sales

Liebigstraße 5
85757 Karlsfeld
Germany

T. +49 8131 59391-100
F. +49 8131 92604

sales@kem-kueppers.com

KEM Service & Repairs

Wetzeller Straße 22
93444 Bad Kötzing
Germany

T. +49 9941 9423-37
F. +49 9941 9423-24

service@kem-kueppers.com

*More distributors & partners can be found at:
www.kem-kueppers.com*